



## SOLAR WARNING and OBSTRUCTION LIGHTS FOR AVIATION

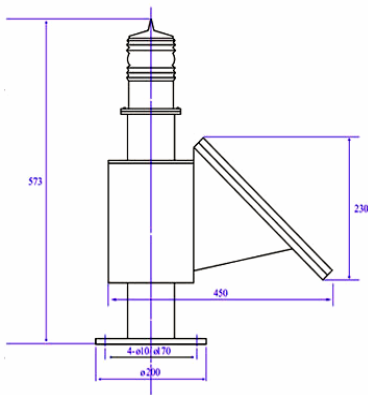


### Product



LED type silicon solar-powered aviation obstruction light mainly consists of a durable plastic lens, a flasher, aluminium alloy cell box and fixture, maintenance-free storage cells and a physical silicon solar panel. The plastic lens is a fresnel lens moulded with polypropylene acid plastics. This kind of lens has excellent light transmittance and is anti-sunbeam-aging. The flasher utilizes quality electronic components to form the light-control switch which controls the imported super long-life LED chip to give off bright flash light. The lifetime of LED is 20 years. The perfect combination of high-efficiency physical silicon solar panel and high-capacity storage cells provides adequate power for the flasher to keep flashing for 15-20 days continuous overcast and rainy days. This product doesn't require any maintenance for 3 years if used in normal conditions.

Light intensity >40000cd



Model	ATL-SOL70	ATL-SOL90	ATL-SOL123
Plastic Lens	70mm	90mm	123mm
Working Voltage	DC: 12V(+/-) 20%		
Static Current	10mA		
Flash Frequency	20~60 times/min (Adjustable)		
Lighting Color	RED, GREEN, BLUE, WHITE, ORANGE (RED is normal)		
Lighting Range/ Visibility	>5Km (T=0.95)- +5000Mts		
Light Control Sensitivity	200LX (Adjustable)		
Storage Cell Capacity	12V7AH	12V12AH	12V7AH
Lighting under Overcast & Rainy Weather	18 Days	20 Days	15 Days
Working Environment	-40°C ~ +70°C		
Level of Protection	IP65		
Bottom Installation Specification	Max circle Φ 180, pitch circle Φ150mm, Average 8- Φ 10mm Hole		
Lamp Net Weight	8 kg	12 kg	8 kg

**Icon Group Ltd**  
**Plot 5 A Kimera Road Ntinda**  
**P.O.Box 16357 Kampala, Uganda**

**Tel: +256 312 104719**  
**Mob: +256 752 718998**  
**Mob: +256 753 333228**

**Website: [icongroup.ug](http://icongroup.ug)**  
**Email: [icongrouplimited@gmail.com](mailto:icongrouplimited@gmail.com)**